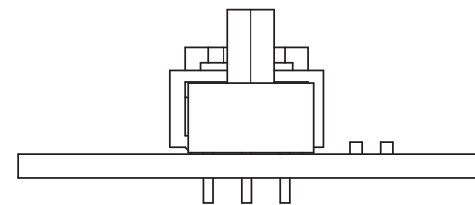
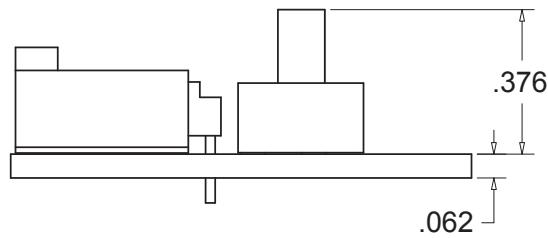
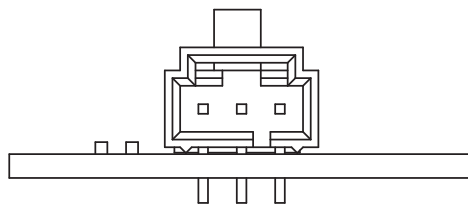
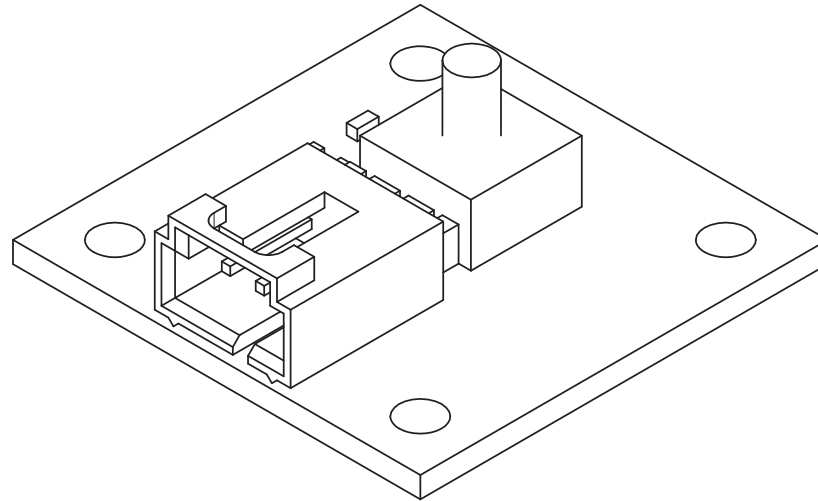
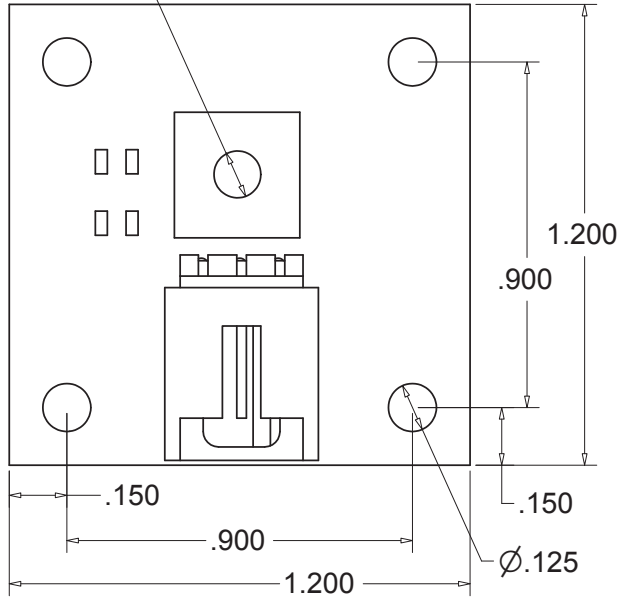


1115_0 Mechanical Drawing

$\varnothing.118 \pm .01$ (OD)



Scale 1:0.5
Units are in Inches