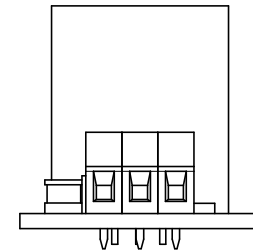
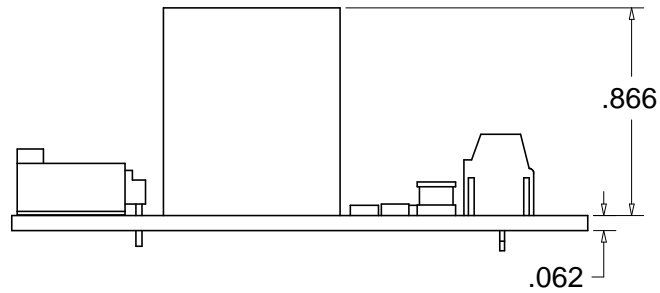
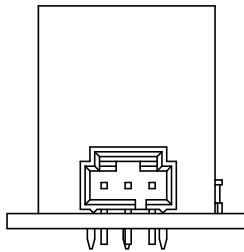
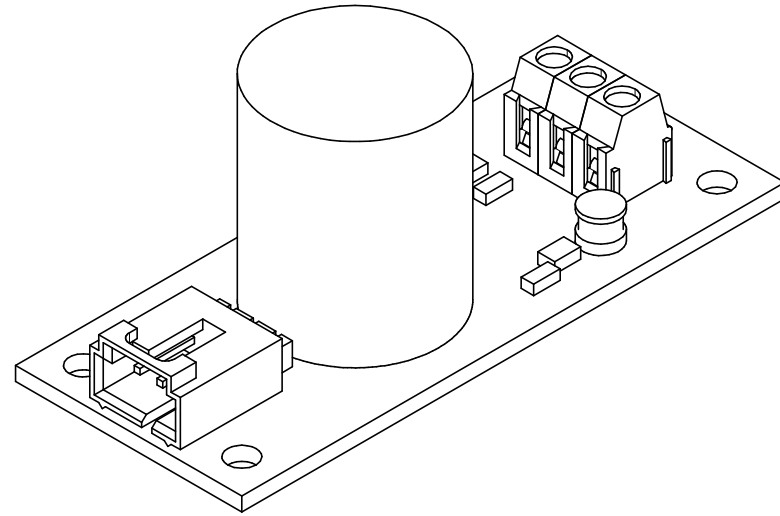
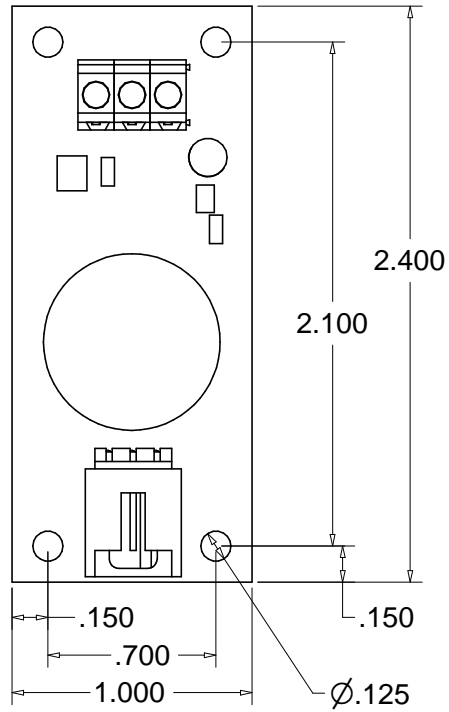


1144_0 Mechanical Drawing



Scale 1:08
Units are in Inches