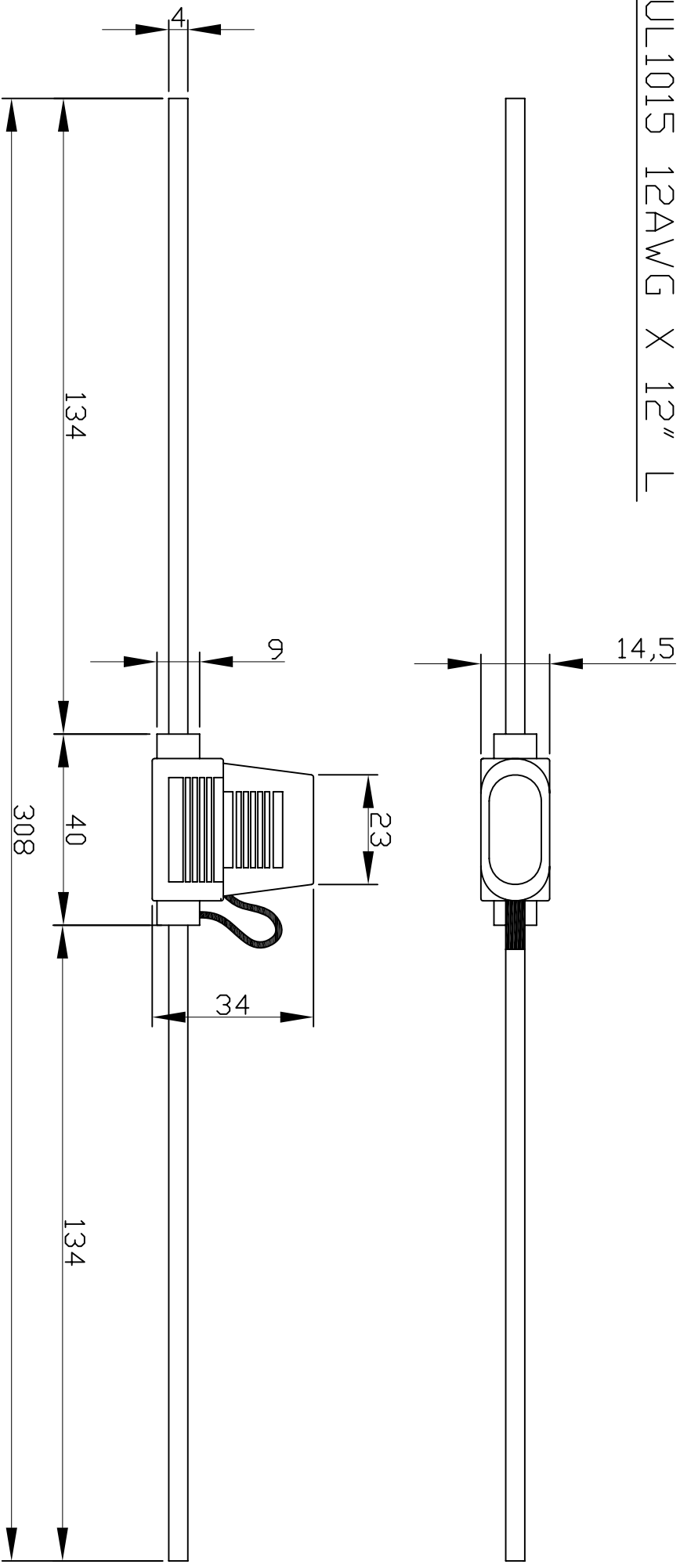


# IN-LINE FUSE HOLDER FOR ATP FUSES

UL1015 12AWG X 12" L



- ③ Contacts: Brass
- ② Insulating Body: PVC
- ① Electrical: Rated for currents 30A or less

REVISION	DATE	DESCRIPTION	APPROVAL	DRAWN	DESIGNED	SCALE	UNIT
		DPPRDVED	CHECKED	Wang		1:1	m/m
			LIAO	97/12/12			
<p>PLENTY TALENT ELECTRONIC CO.,LTD.</p> <p>IN-LINE FUSE HOLDER PT-9719</p>							