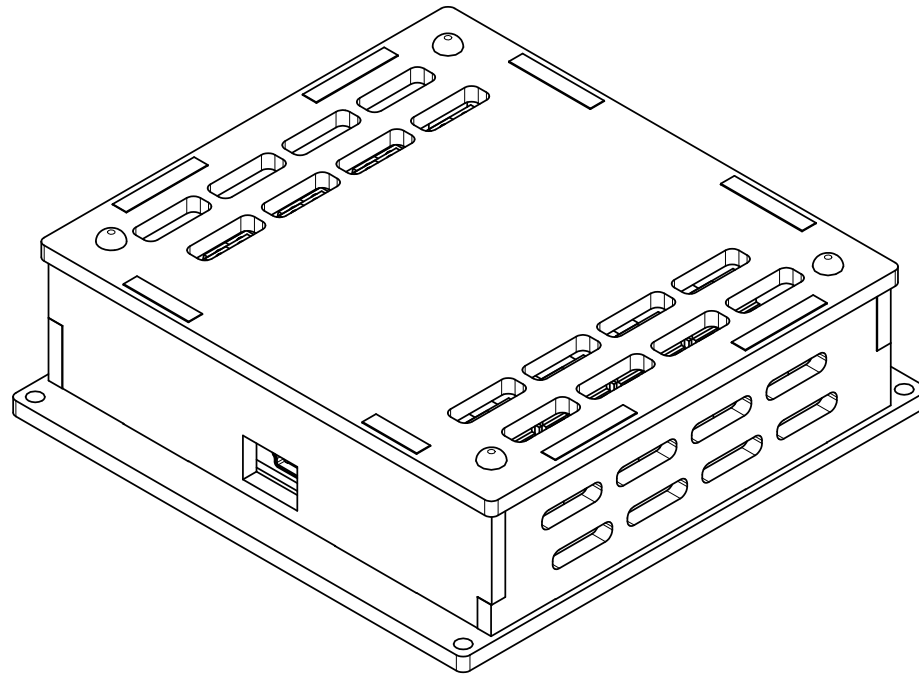
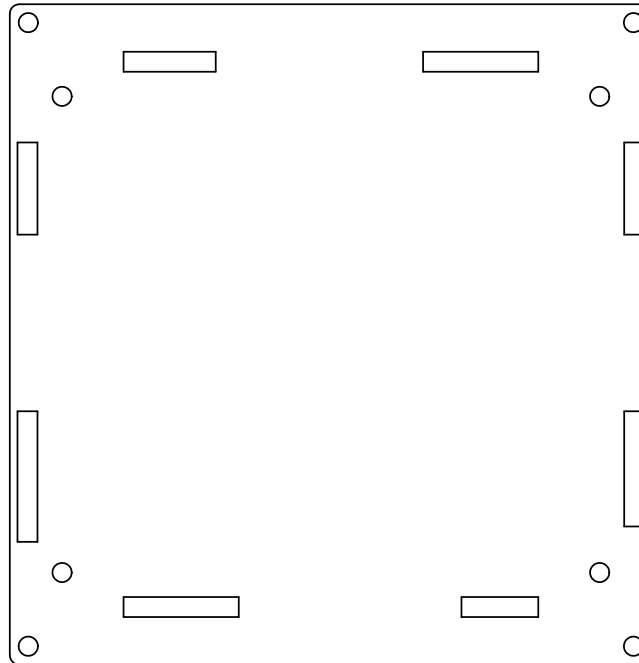
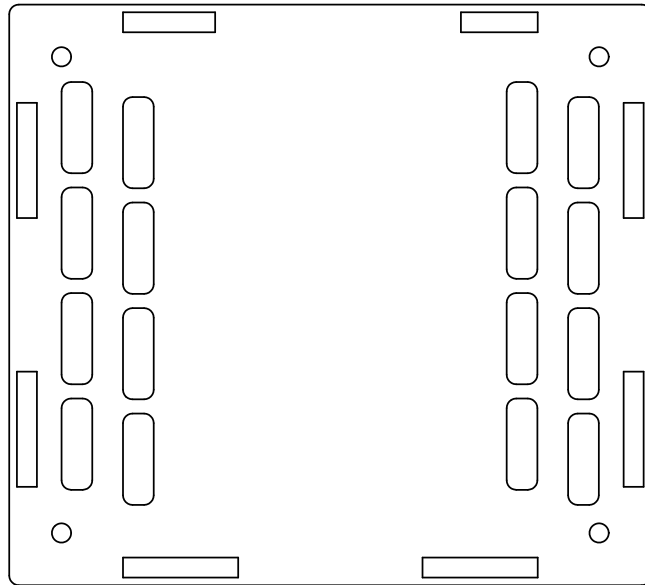
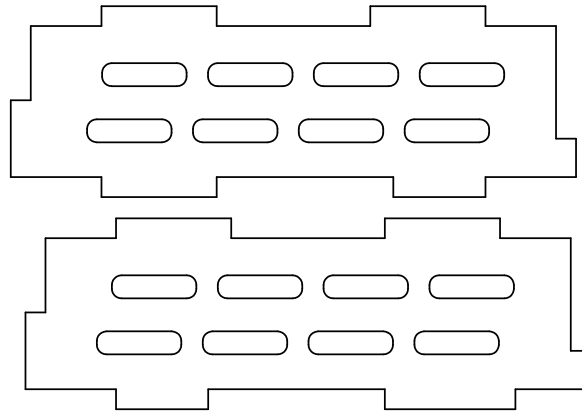
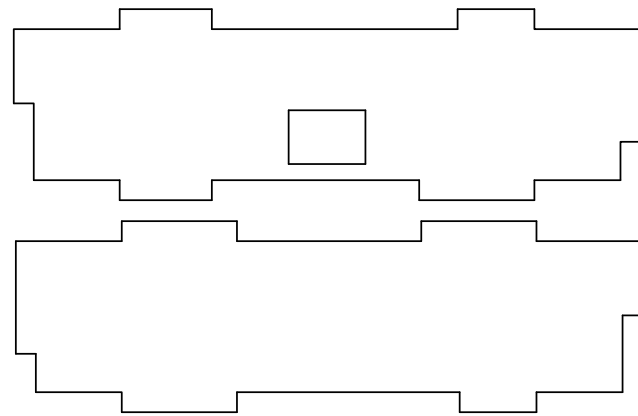





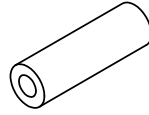
Phidget Enclosure Assembly Instructions

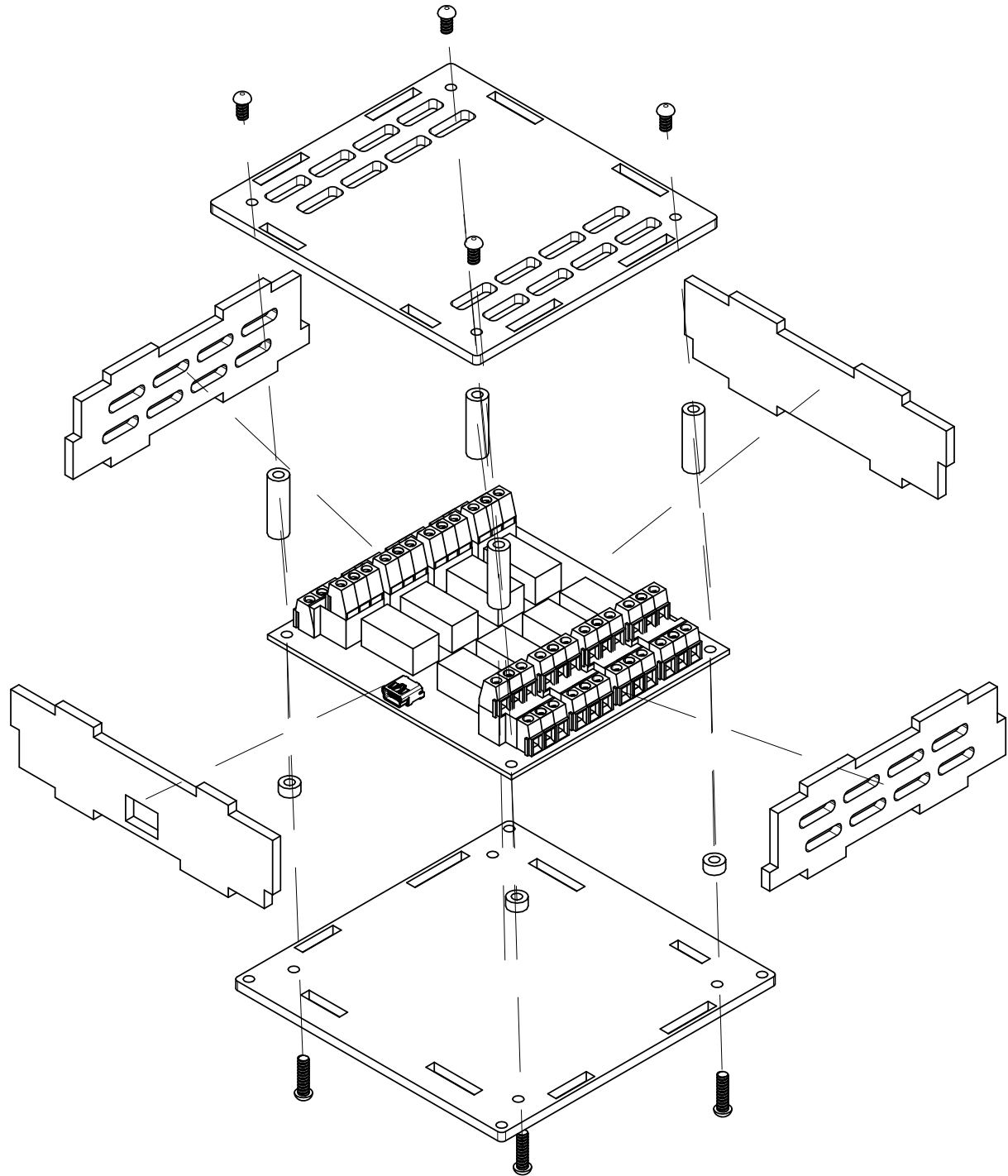
PN 3803 : Acrylic Enclosure for 1017 PhidgetInterfaceKit 0/0/8



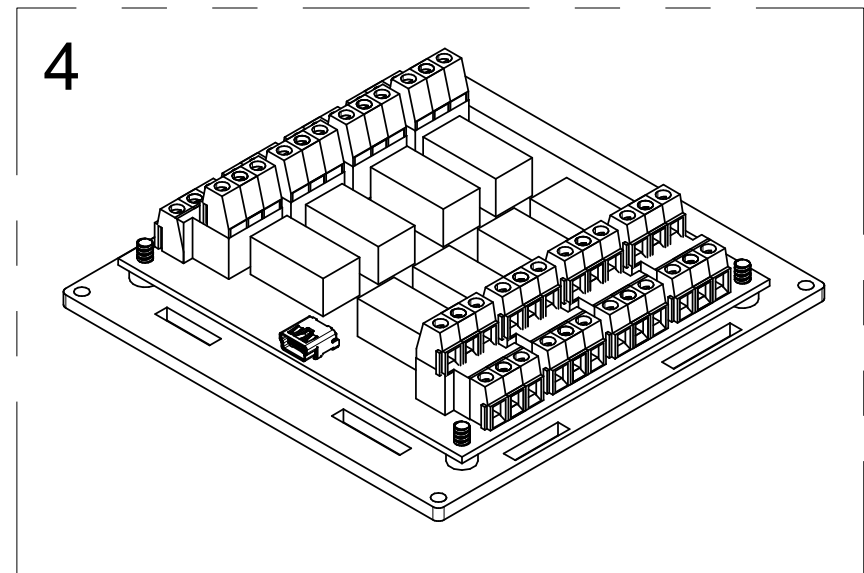
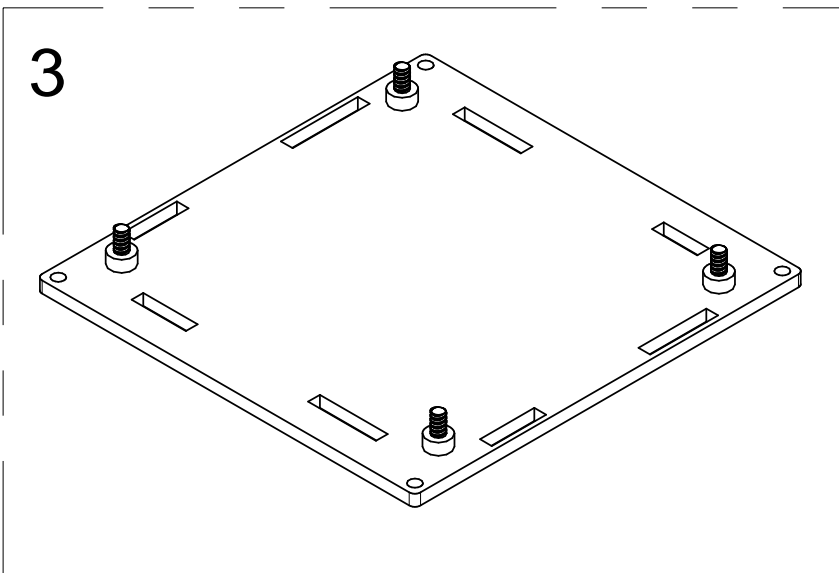
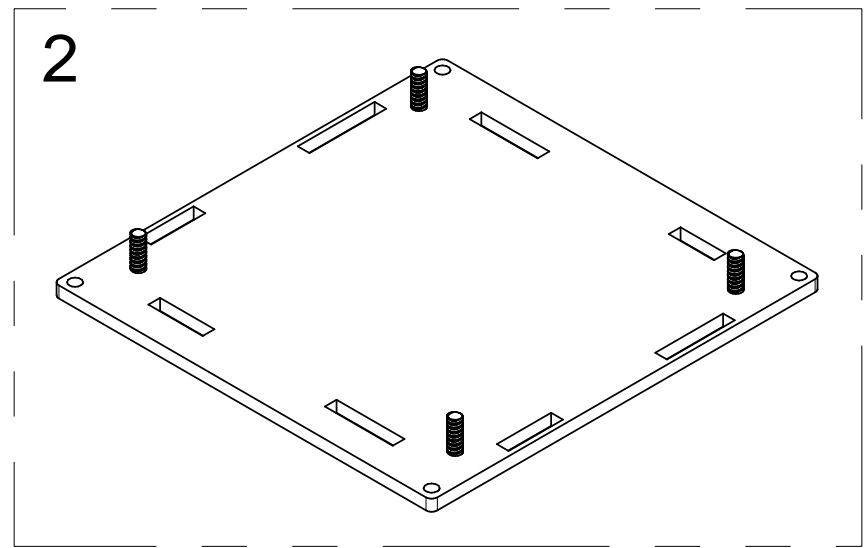
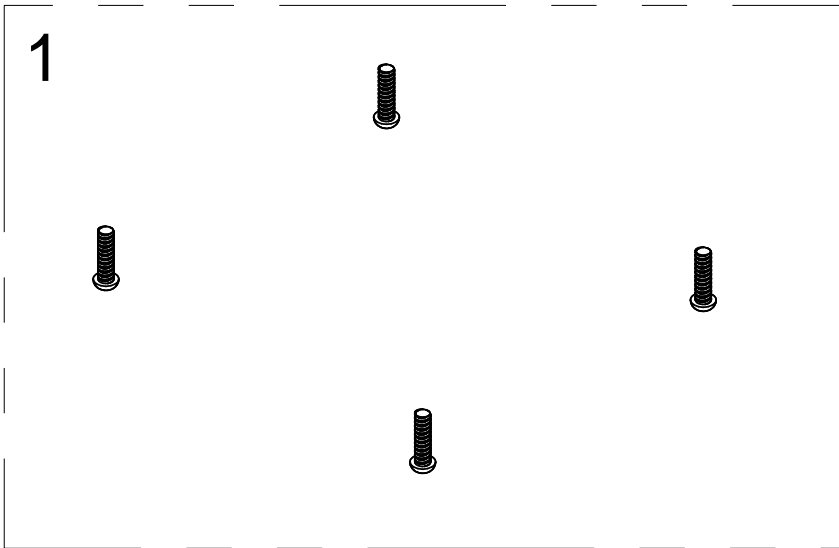
Contents of Enclosure Kit



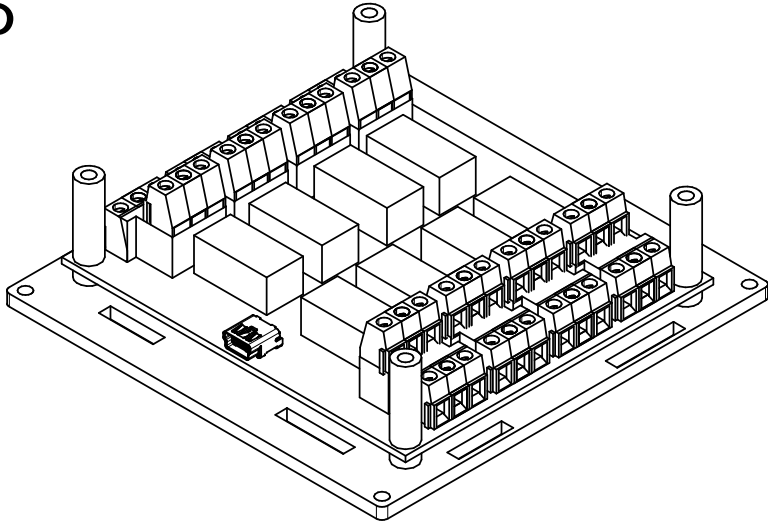
-  x4
-  x4
-  x4
-  x4



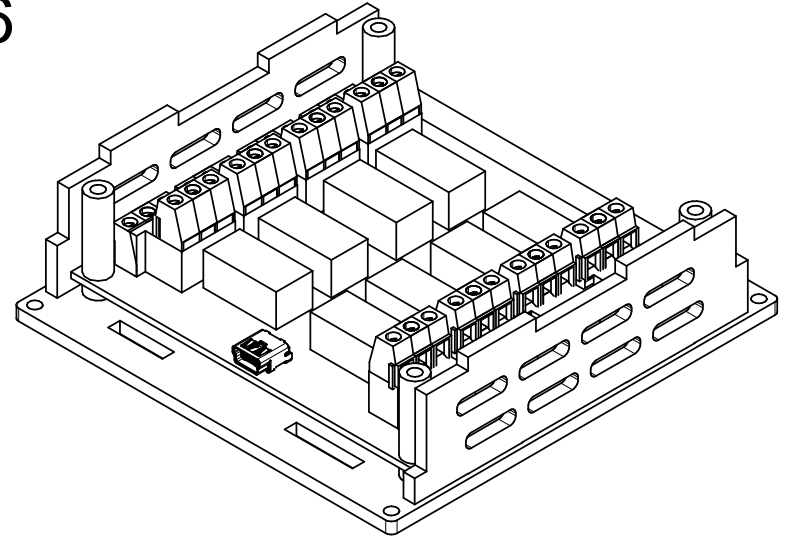
Assembly Instructions



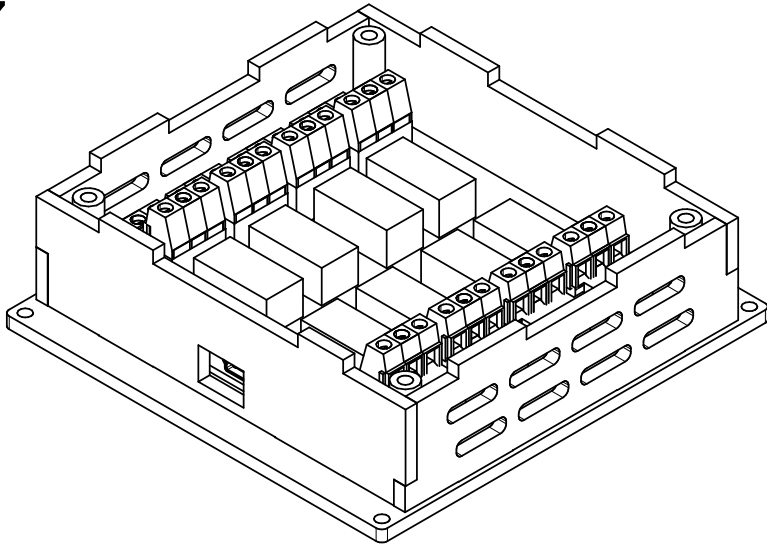
5



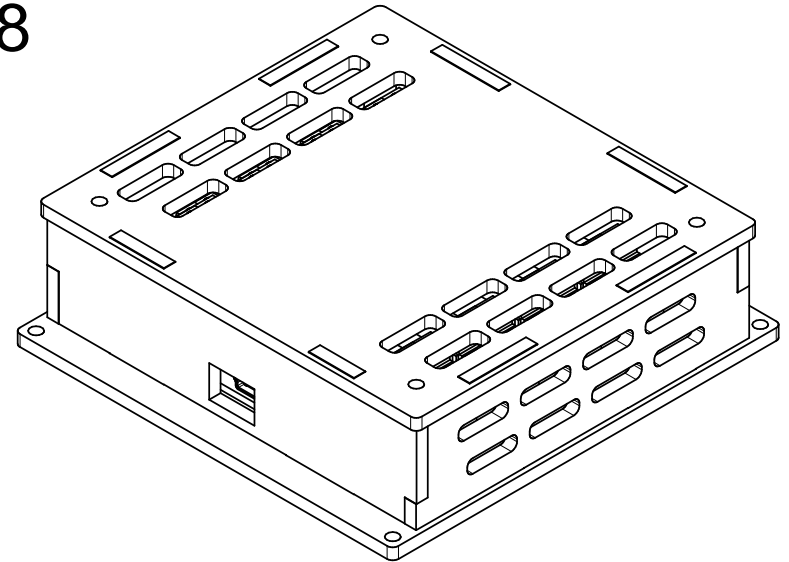
6



7



8



9

