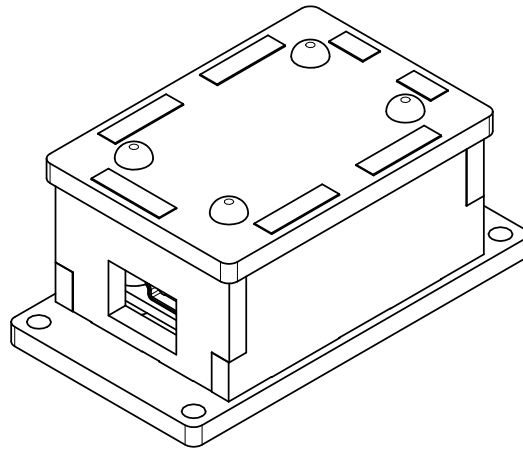
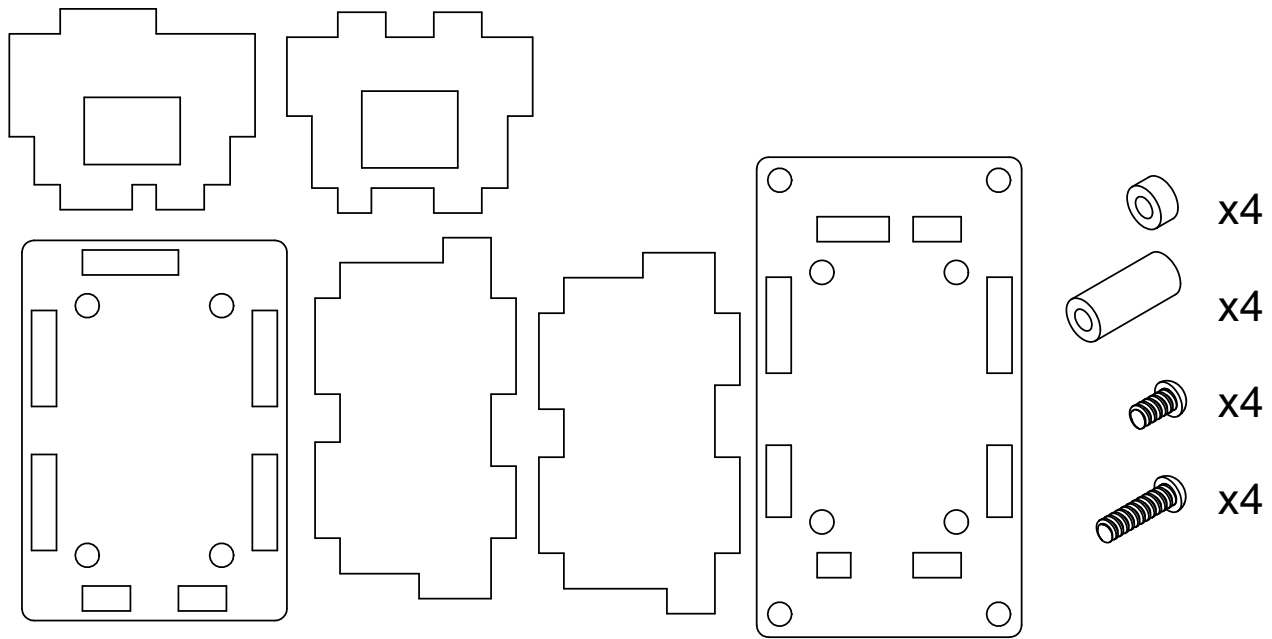


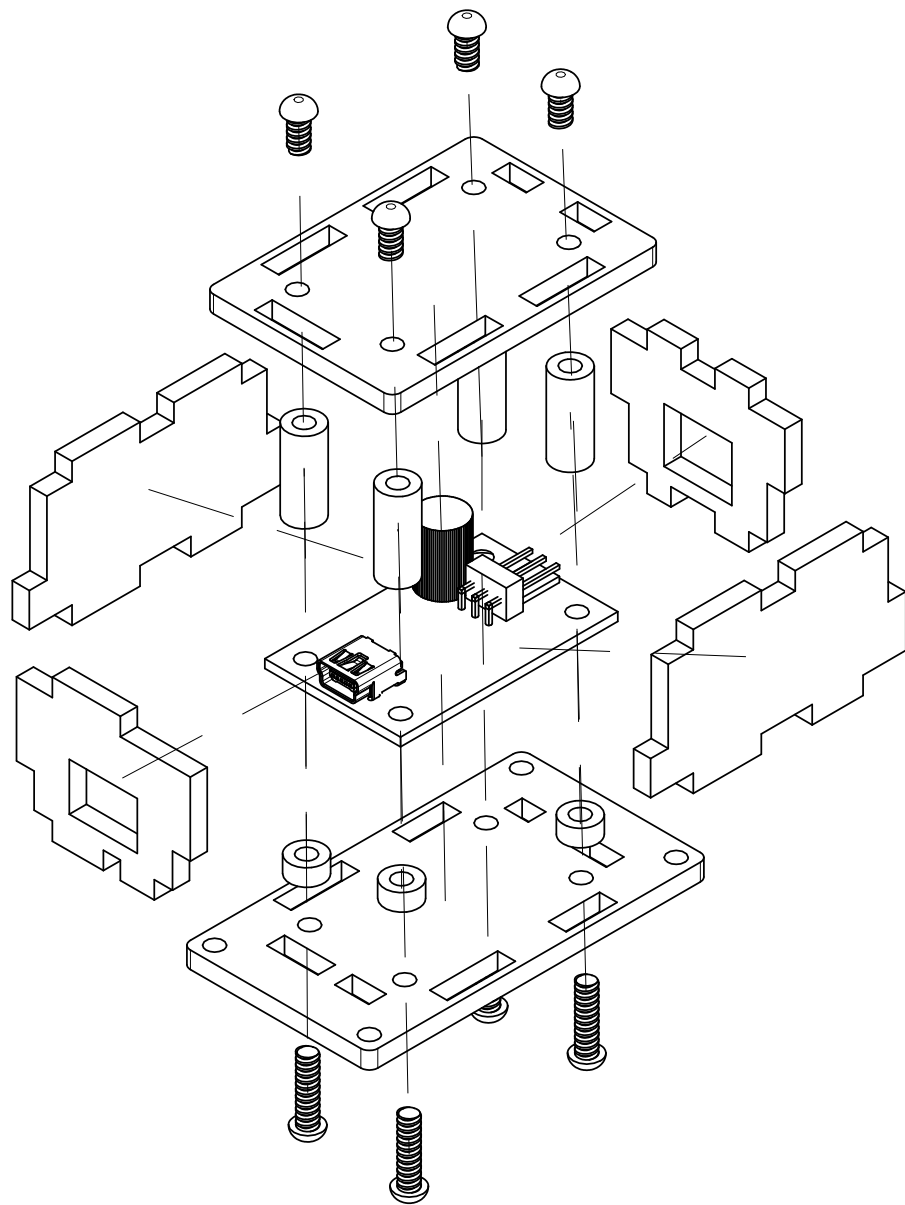
# Phidget Enclosure Assembly Instructions

PN 3816 : Acrylic Enclosure for the 1066 PhidgetAdvancedServo 1-Motor



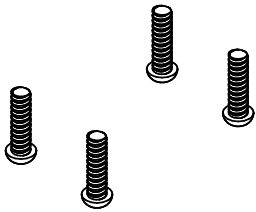
# Contents of Enclosure Kit



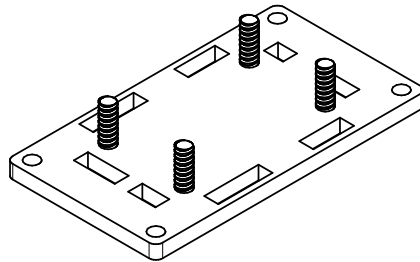


# Assembly Instructions

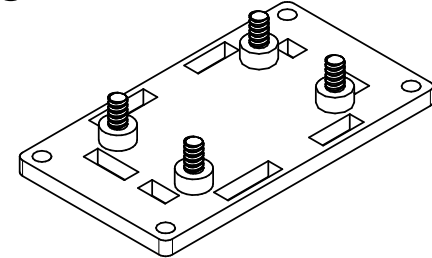
1



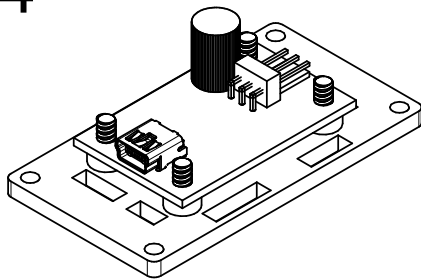
2



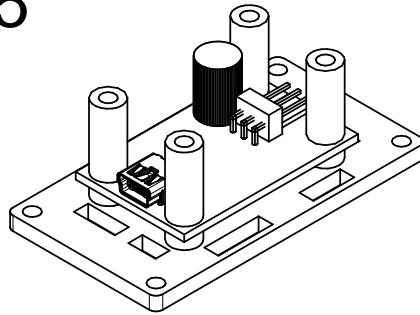
3



4



5



6

