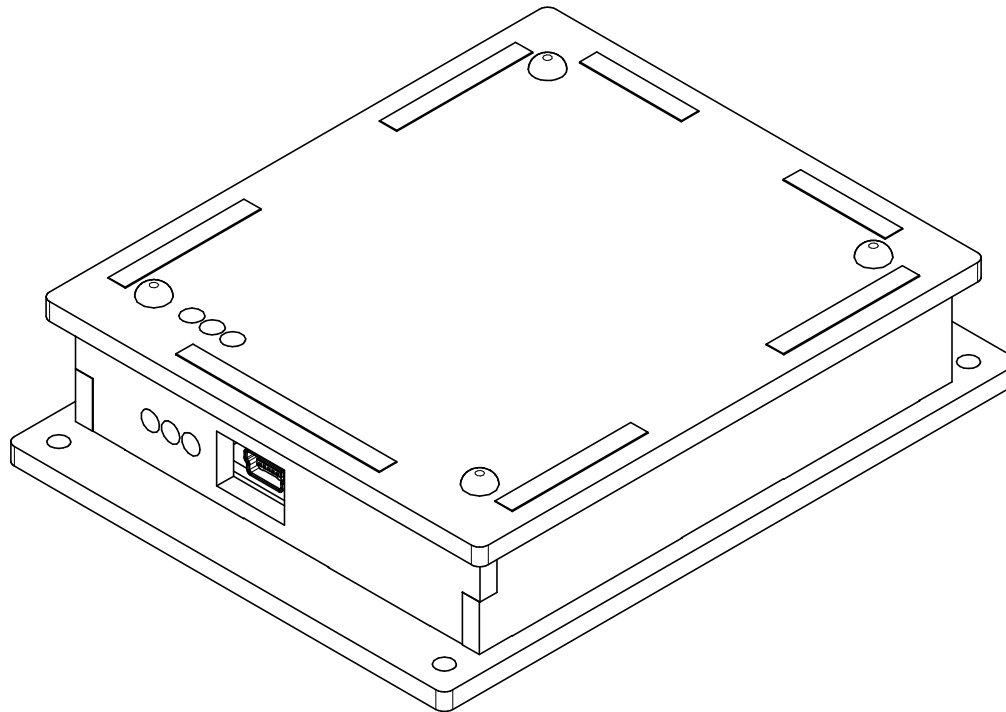
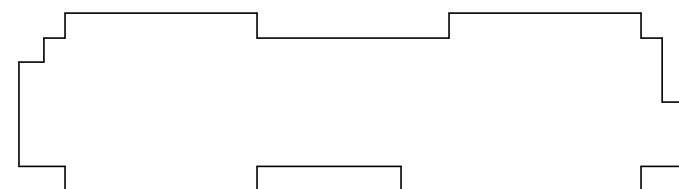
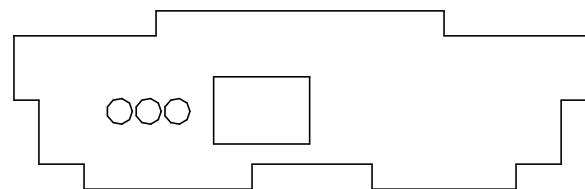
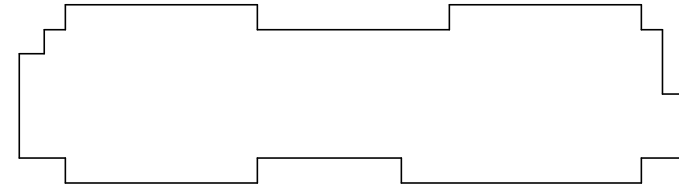
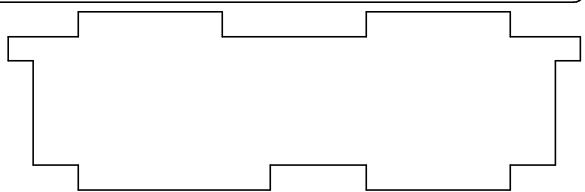
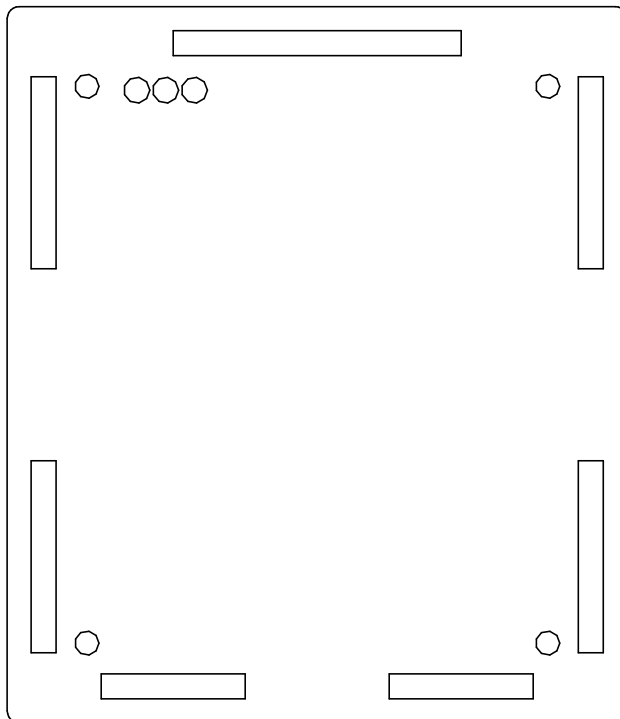
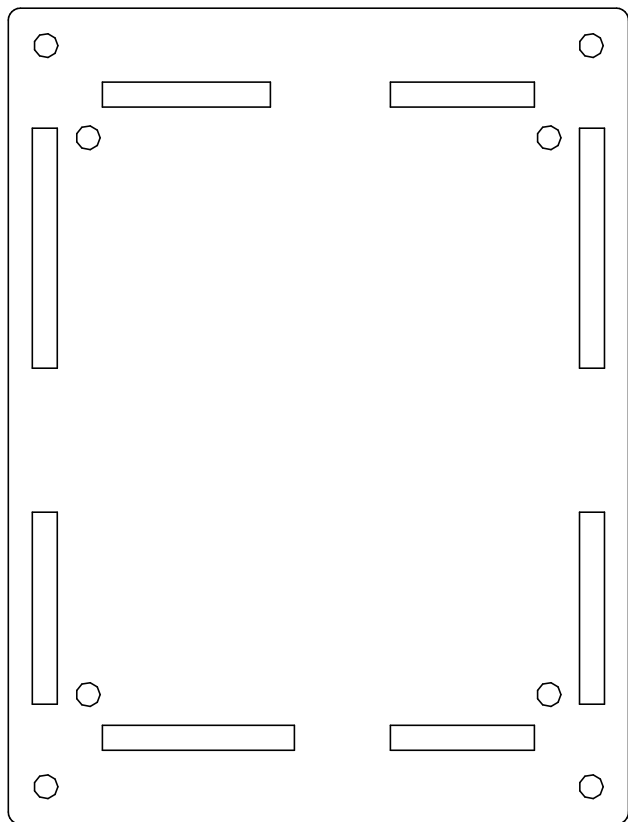



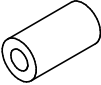


Phidget Enclosure Assembly Instructions

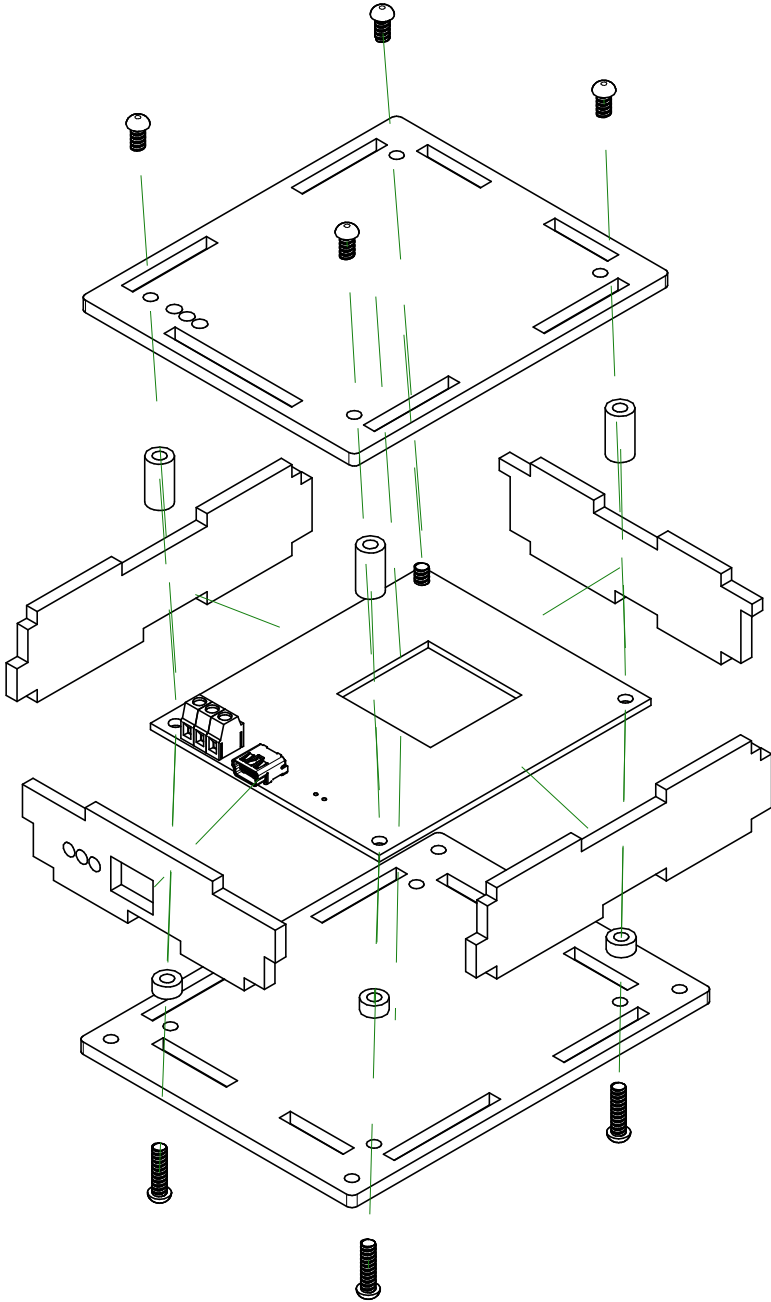
PN 3825 : Acrylic Enclosure for 1024 PhidgetRFID



Contents of Enclosure Kit

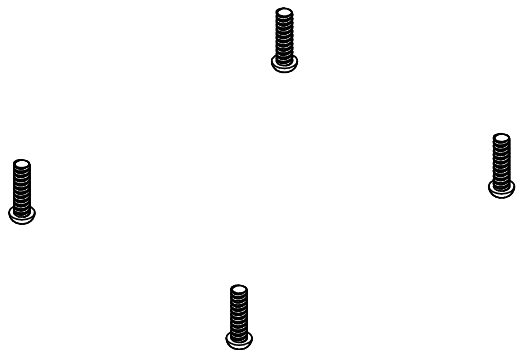


-  x4
-  x4
-  x4
-  x4

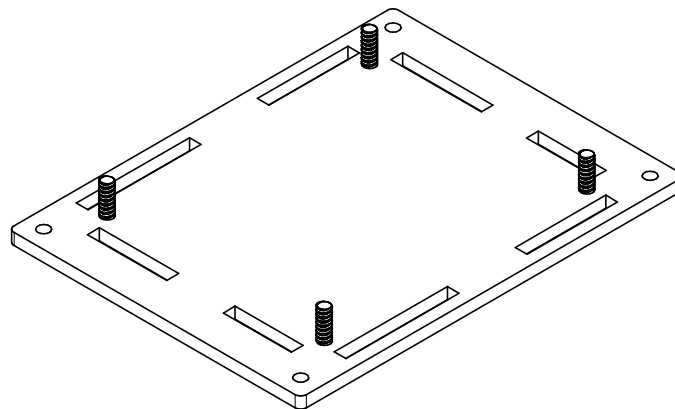


Assembly Instructions

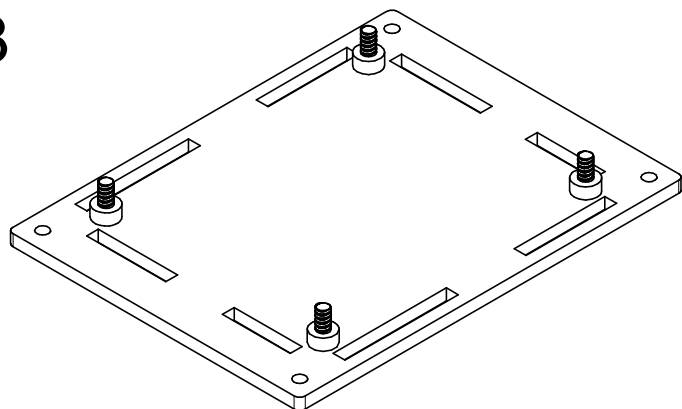
1



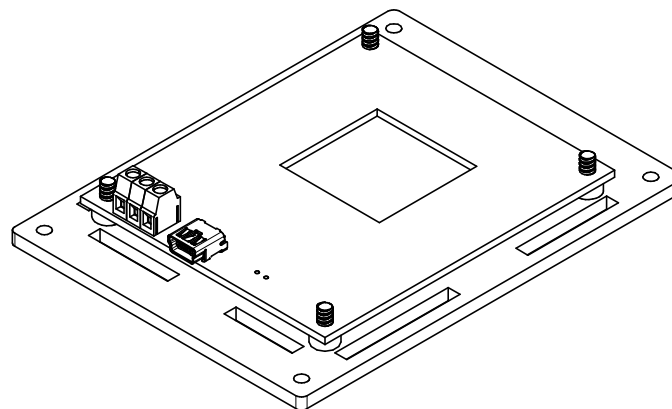
2



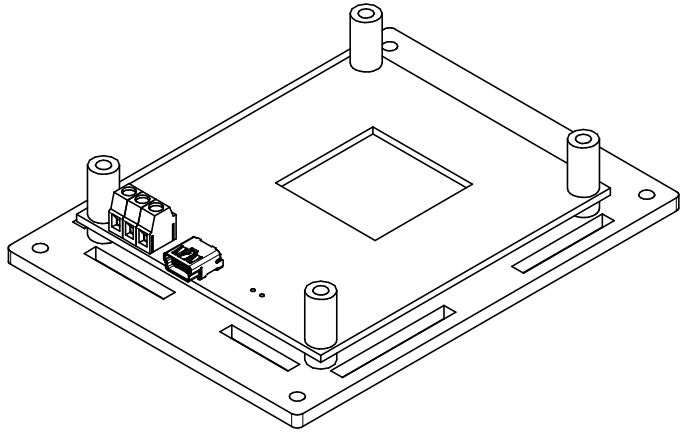
3



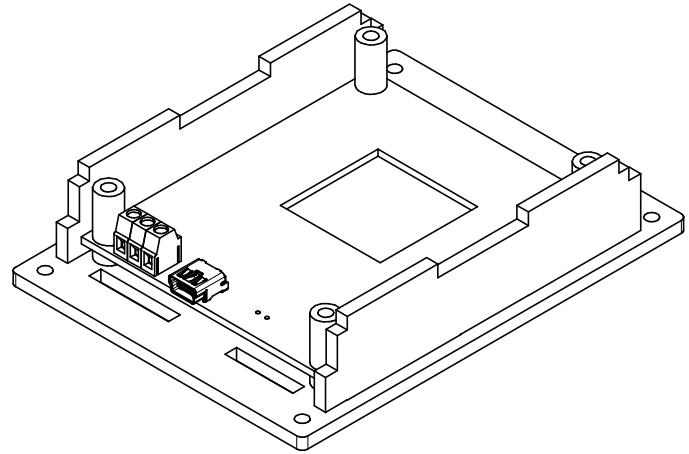
4



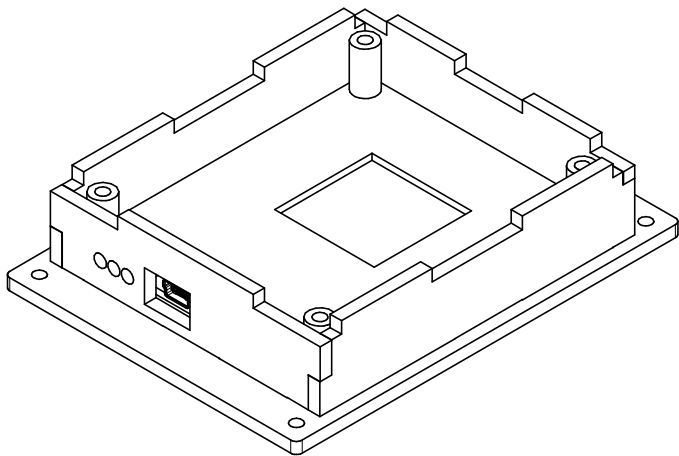
5



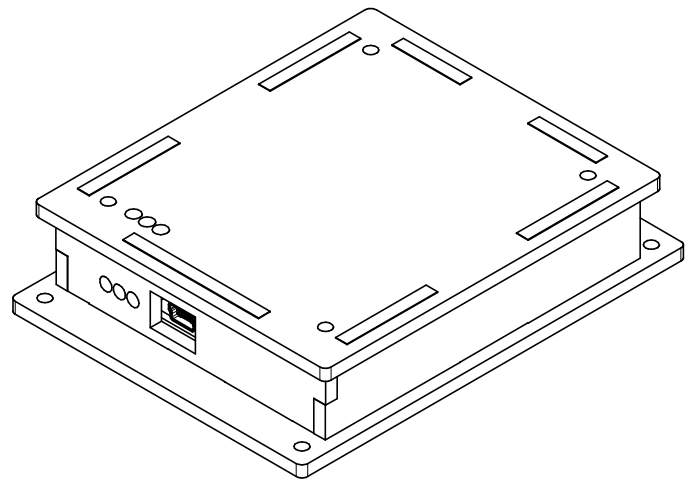
6



7



8



9

